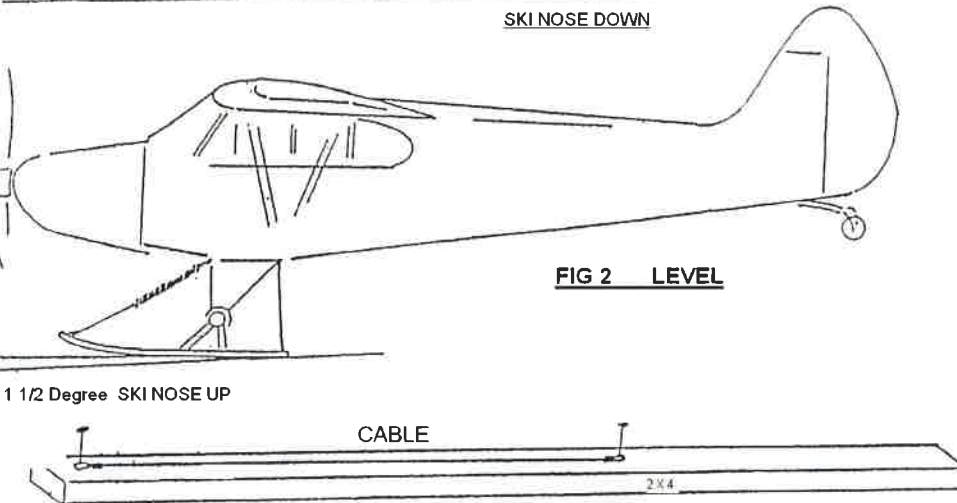
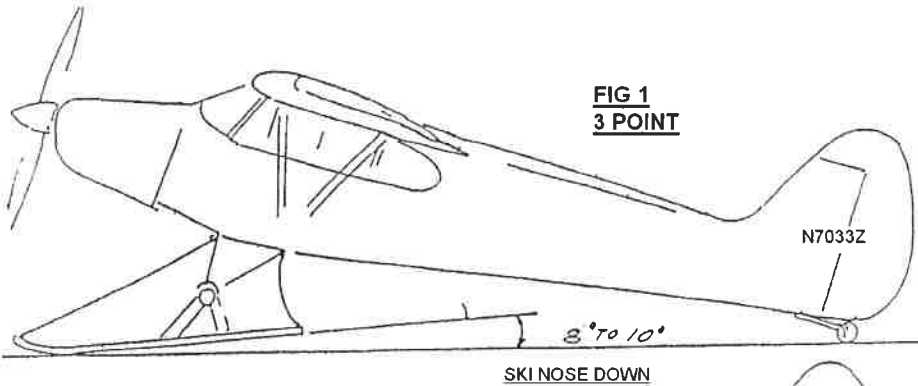


## 7. Atlee Dodge Aircraft Services, LLC

6672 Wes Way \* Anchorage, AK 99518

Phone: (907) 344-1755 \* Fax: (907) 344-6720

[atleedodge@acsalaska.net](mailto:atleedodge@acsalaska.net) \* [www.fadodge.com](http://www.fadodge.com)



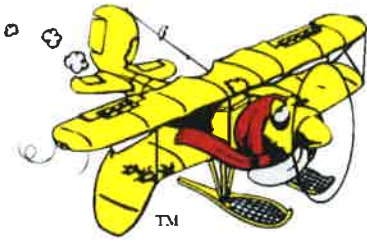
### SUGGESTED METHOD FOR RIGGING AIRCRAFT SKIS.

1. Install skis on landing gear, torque axle nut and cotter key.
2. With A/C in the three-point position, raise the heel of the ski to between 8 and 10 degrees nose-down. (Fig. 1) This can be done with a prop protractor installed.
3. Adjust front limit cable down at this position (8 to 10 degrees) to stop ski movement.
4. Raise tail of A/C to level flight position. (Fig. 2) Refer to maint manual or specs for correct method of leveling A/C.
5. Adjust ski to 1 ½ degree nose up position and adjust rear check cable to limit the nose-up attitude. Much care should be used to adjust the nose-up position.

6. While A/C is in flat attitude (level), set preload on bungee. Refer to part 43 for correct preload.

7. Suggested method for rigging the opposite ski:

- a. Remove rigging from the rigged ski
- b. Obtain several nails and a length of 2 X 4 about 6'
- c. Put nail into surface of 2 X 4 at one end
- d. Starting with the rear check cable, loop thimble over the nail, pull tight and put a nail in the 2 X 4 thru the other thimble at the other end of the cable. Remove cable from nails. Now loop the opposite rear check cable over one nail and the opposite end over the second nail and adjust so both cables have the same tension.

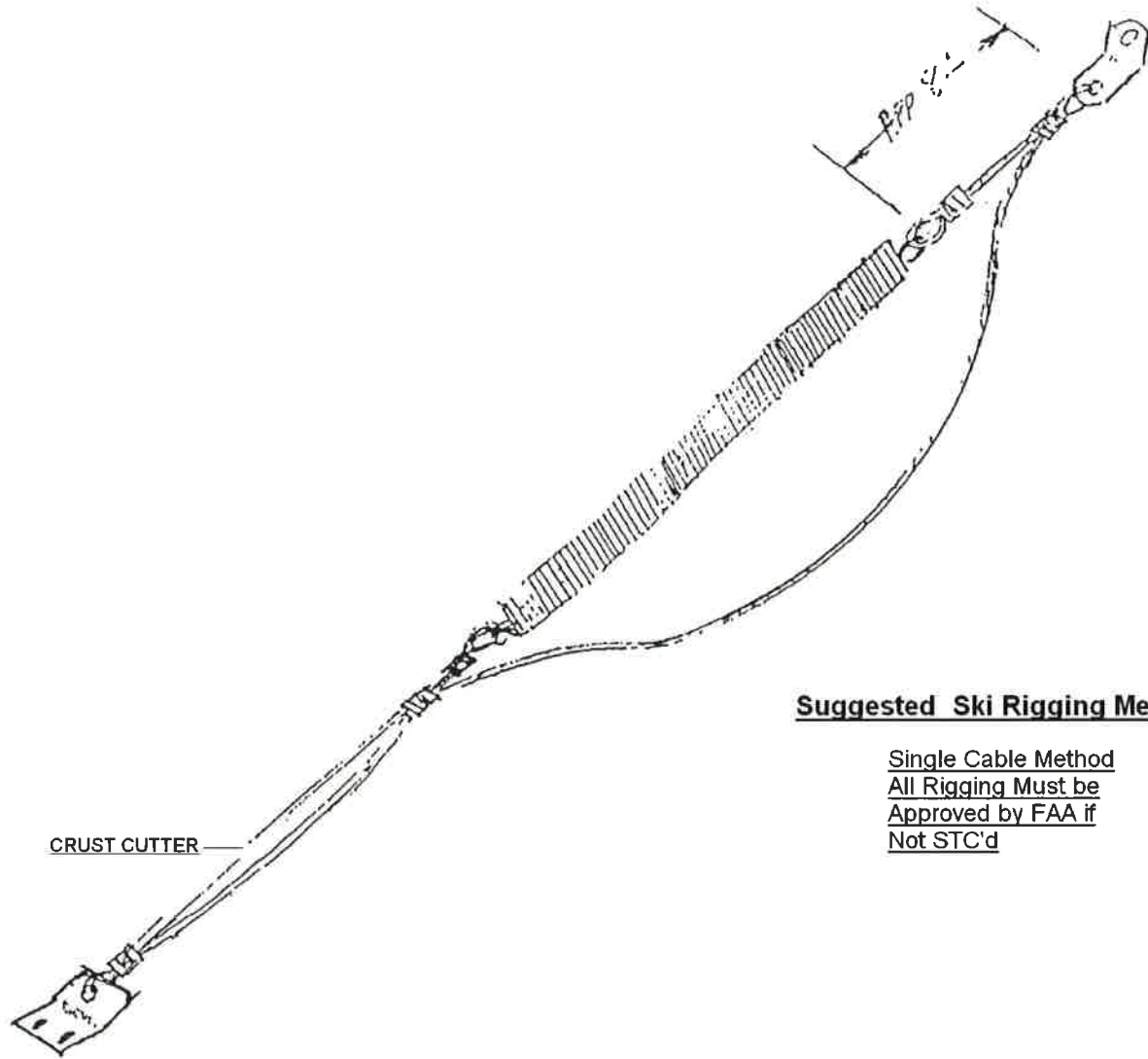


## *F. Atlee Dodge Aircraft Services, LLC*

6672 Wes Way \* Anchorage, AK 99518

Phone: (907) 344-1755 \* Fax: (907) 344-6720

[atleedodge@acsalaska.net](mailto:atleedodge@acsalaska.net) \* [www.fadodge.com](http://www.fadodge.com)



CRUST CUTTER

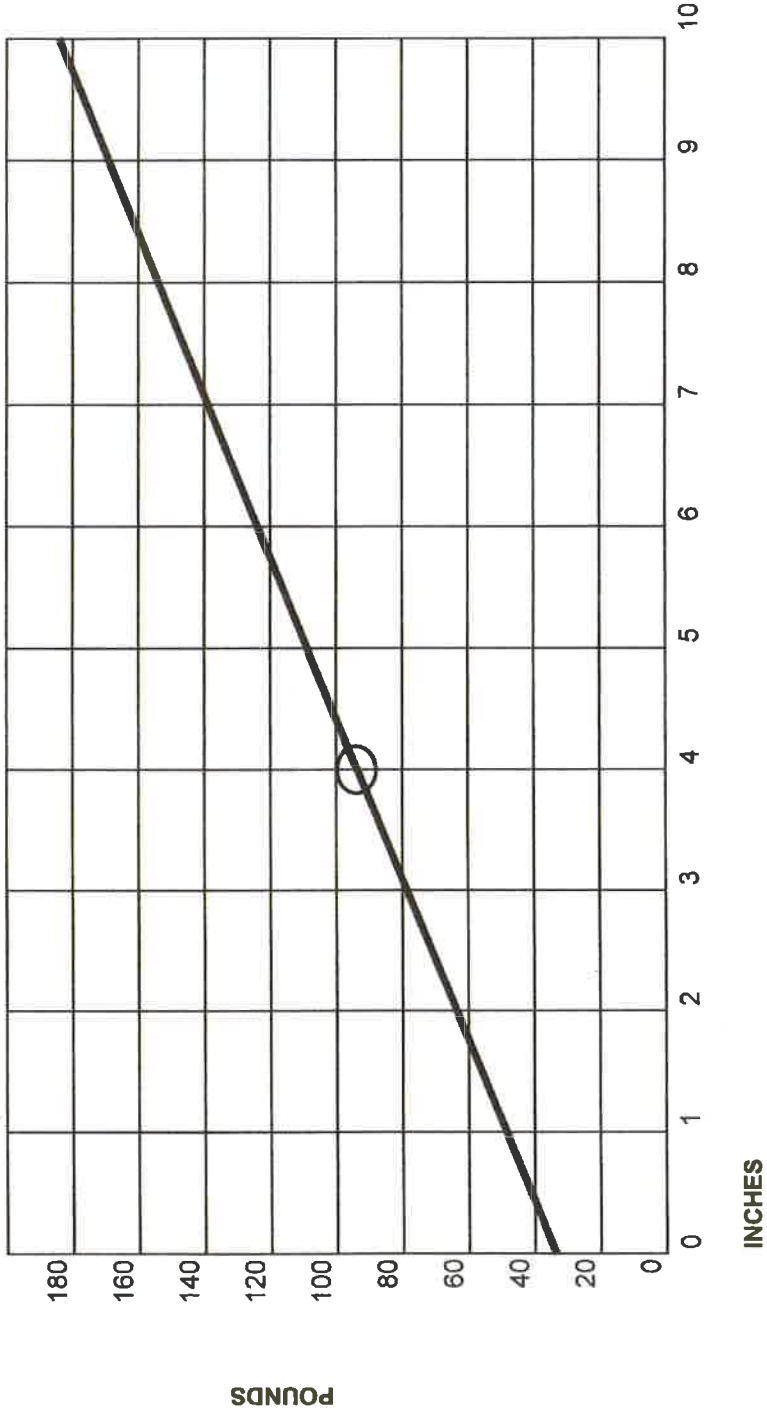
### **Suggested Ski Rigging Method**

Single Cable Method  
All Rigging Must be  
Approved by FAA if  
Not STC'd



**F. Atlee Dodge Aircraft Services, LLC**

6672 Wes Way \* Anchorage, AK 99518  
 Phone: (907) 344-1755 \* Fax: (907) 344-6720  
 atleedodge@acsalaska.net \* www.fadodge.com



**GOLD EXTENSION SPRING**  
 P/N 2127 \* DWG NO. 2127 \* REV 03/27/08  
 F. ATLEE DODGE AIRCRAFT SERVICES LLC.  
 6672 WES WAY \* ANCHORAGE, AK 99518

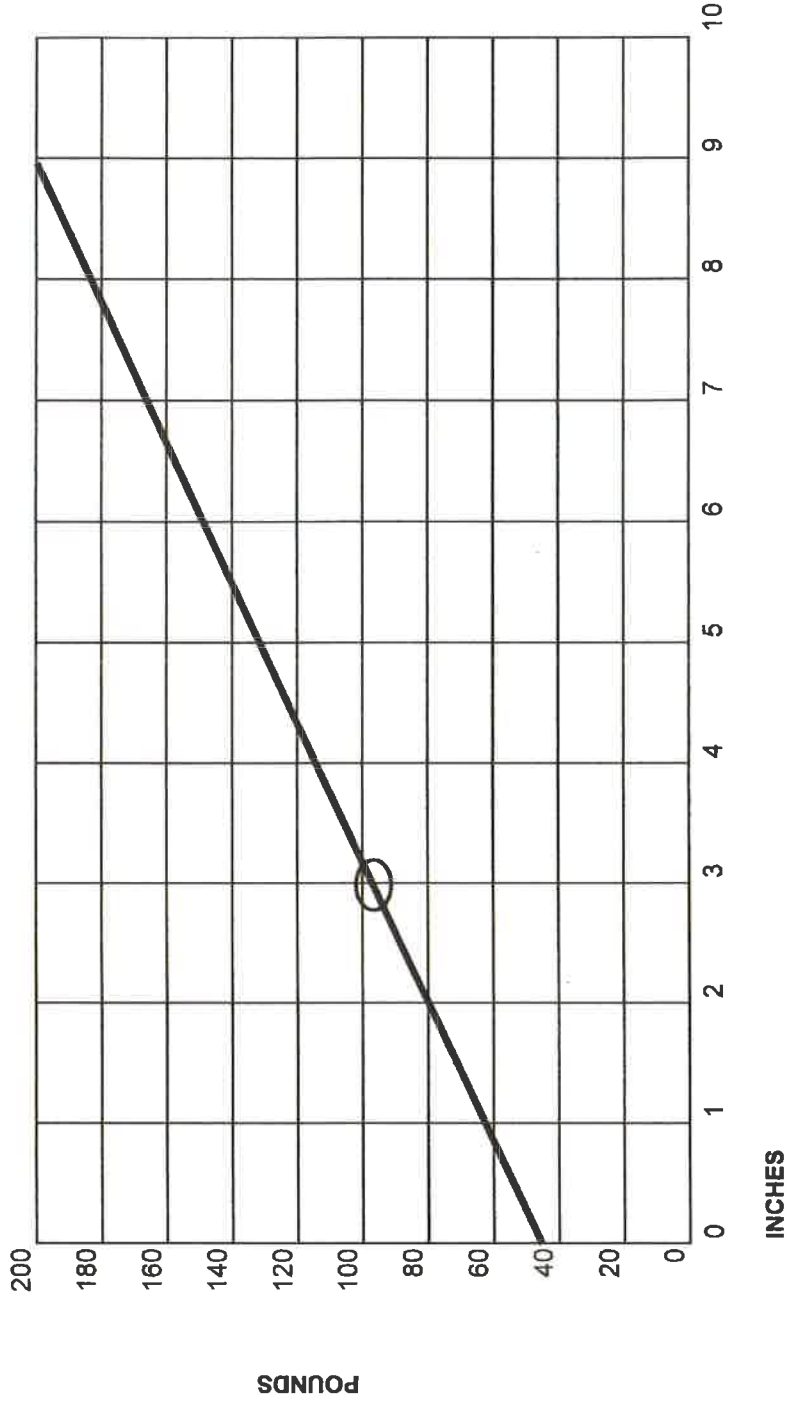
Note: It is the responsibility of the installer to verify the stretch of the spring and ultimate tension.

For Questions, please contact F. Atlee Dodge Aircraft Services, LLC at (907) 344-1755



**F. Atlee Dodge Aircraft Services, LLC**

6672 Wes Way \* Anchorage, AK 99518  
Phone: (907) 344-1755 \* Fax: (907) 344-6720  
atleedodge@acsalaska.net \* www.fadodge.com



**SILVER EXTENSION SPRING**  
P/N 2097 \* DWG NO. 2129 \* REV 03/27/08  
F. ATLEE DODGE AIRCRAFT SERVICES LLC.  
6672 WES WAY \* ANCHORAGE, AK 99518

Note: It is the responsibility of the installer to verify the stretch of the spring and ultimate tension.

For Questions, please contact F. Atlee Dodge Aircraft Services, LLC at (907) 344-1755