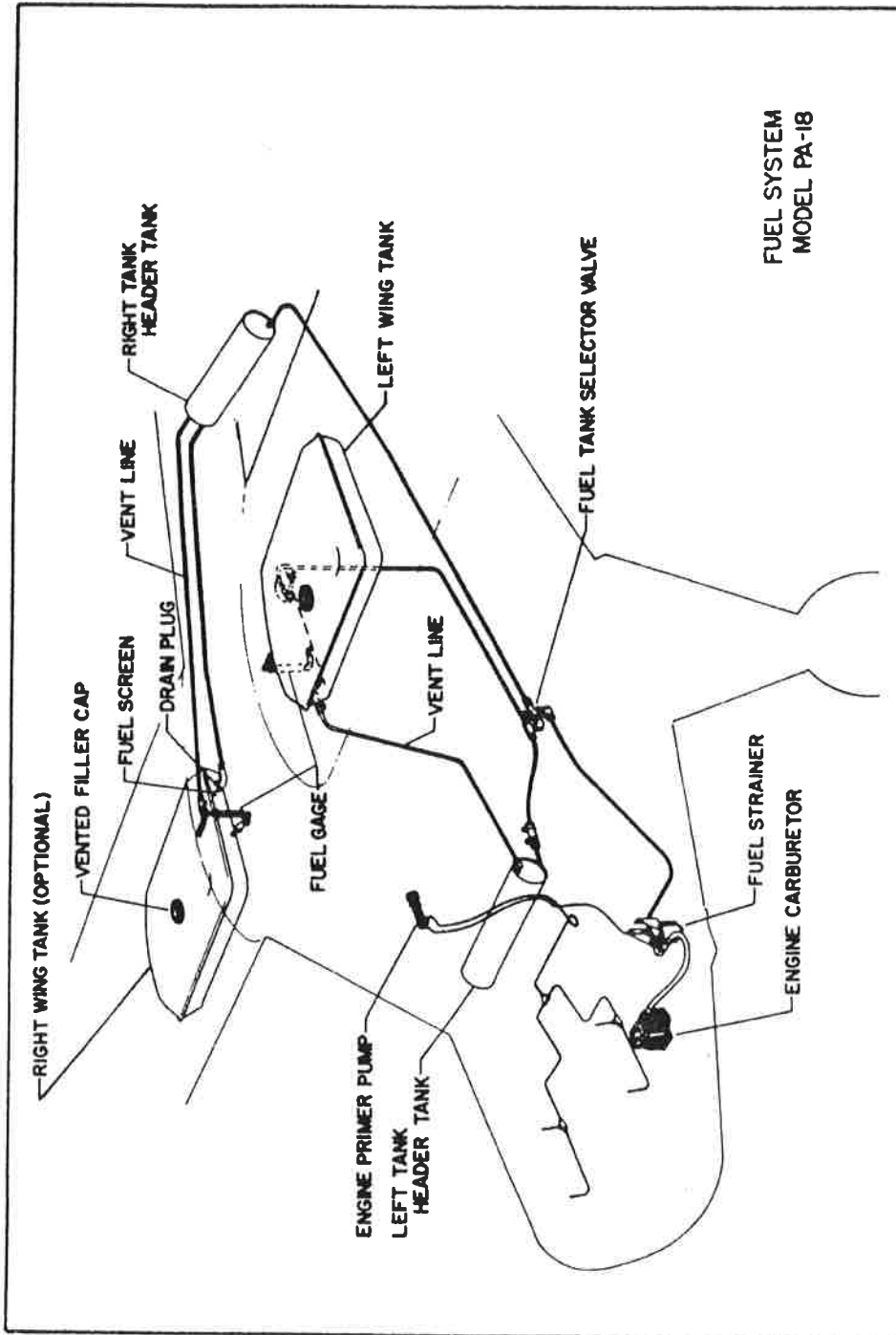


SUPER CUB

SECTION II



761 611
750211

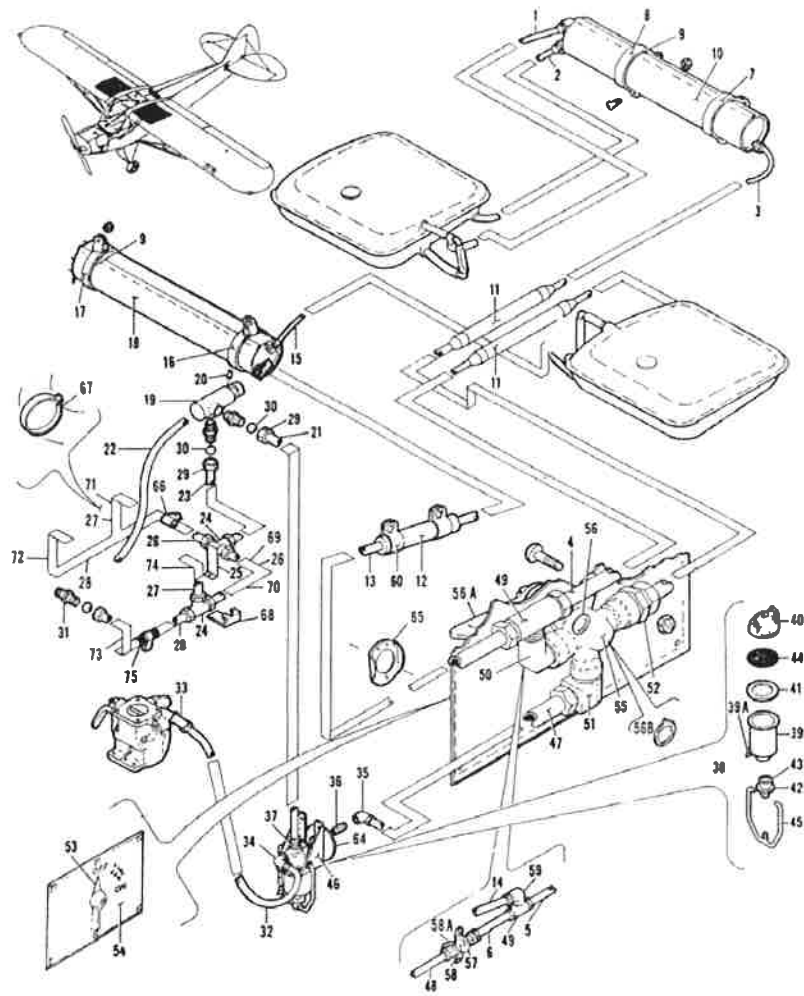


Figure 35. Fuel System Installation